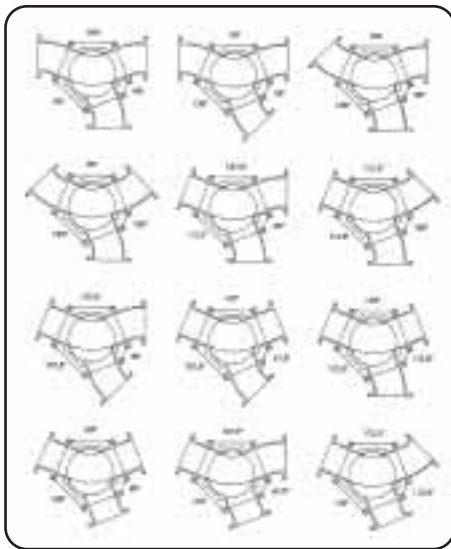


- Universal application
- For diverging and converging
- Sizes from NB 150 up to 400 (6" to 16")
- Pressure up to 3.5 bar g
- Maximum product temperature 120 °C
- Static or dynamic sealing
- No moving parts on the outside



PTD(SP)

The single pipe DMN-WESTINGHOUSE plug type diverter has been incorporated into the DMN supply program. The PTD(SP) is designed to diverge or converge solids in powder or granular form in dilute and dense phase pneumatic transport systems.

Due to the modular design there are 12 different configurations possible: the body remains the same, but the flanges can be mounted as required. This gives all the conventional configurations as well as an array of specials. The diverter can be operated without stopping the gas stream, the conveying of product should however be stopped.

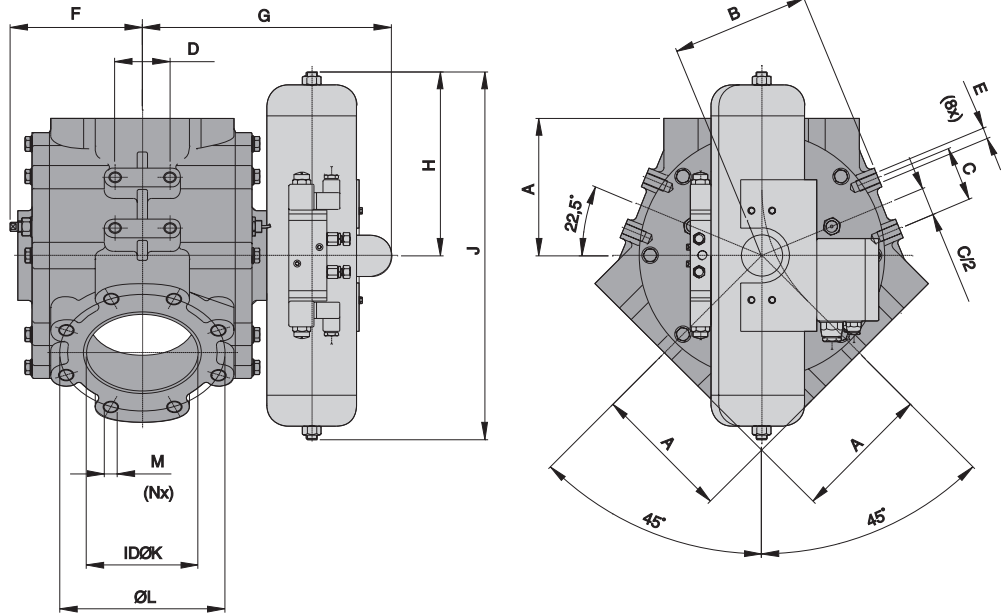
Product information

The PTD(SP) single pipe diverters are available in sizes from 150 up to 400 mm (6" to 16"). The diverter angle is 45°, with varying alternatives available depending on the mounting position of the flanges. The diverters are manufactured out of aluminium with stainless steel product contact parts. Designed for a maximum system pressure of 3.5 bar g and a maximum product temperature of 120 °C. A choice of static or dynamic sealing is available.

PTD(SP)

DMN-WESTINGHOUSE

Technical modifications are possible, dimensions in mm PTD-SPM.01.03.A



DMN-WESTINGHOUSE have been designing and manufacturing rotary valves, diverter valves and other related components for the bulk solids handling industry for more than 30 years. Offering tailor made solutions for chemical, food, plastics and pharmaceutical industries, DMN-WESTINGHOUSE products are distributed world-wide. Besides an extensive range of standard components, we supply USDA approved sanitary versions and explosion-proof models. An extensive network of subsidiaries, distributors and representatives ensures a high level of service and support all over the world.

Type PTD(SP)	A	B	C	D	E	F	G	H	J	ØK	DIN 2501, PN 10			ANSI 150 LBS			WEIGHT (KG)
											ØL	M	N	ØL	M	N	
150	200	200	80	80	M16	192	365	270	540	162.3	240	M20	8	241.3	M20	8	120
175	235	245	80	80	M16	225	400	315	630	187.7	270	M20	8	-	-	-	175
200	235	245	80	80	M16	225	400	315	630	213.1	295	M20	8	298.5	M20	8	185
250	285	290	100	100	M16	255	460	380	760	267.0	350	M20	12	362.0	M24	12	260
300	325	330	100	100	M16	296	500	380	760	317.9	400	M20	12	431.8	M24	12	320
350	380	380	100	100	M16	325	610	430	860	349.6	460	M20	16	476.3	M27	12	350
400	440	440	100	100	M16	355	640	430	860	400.4	515	M24	16	539.8	M27	16	380

Global Technology & Engineering
 PO Box 687
 Excelsior Springs, MO 64024
 Toll Free (866) 630-3500

www.globaltecheng.com

