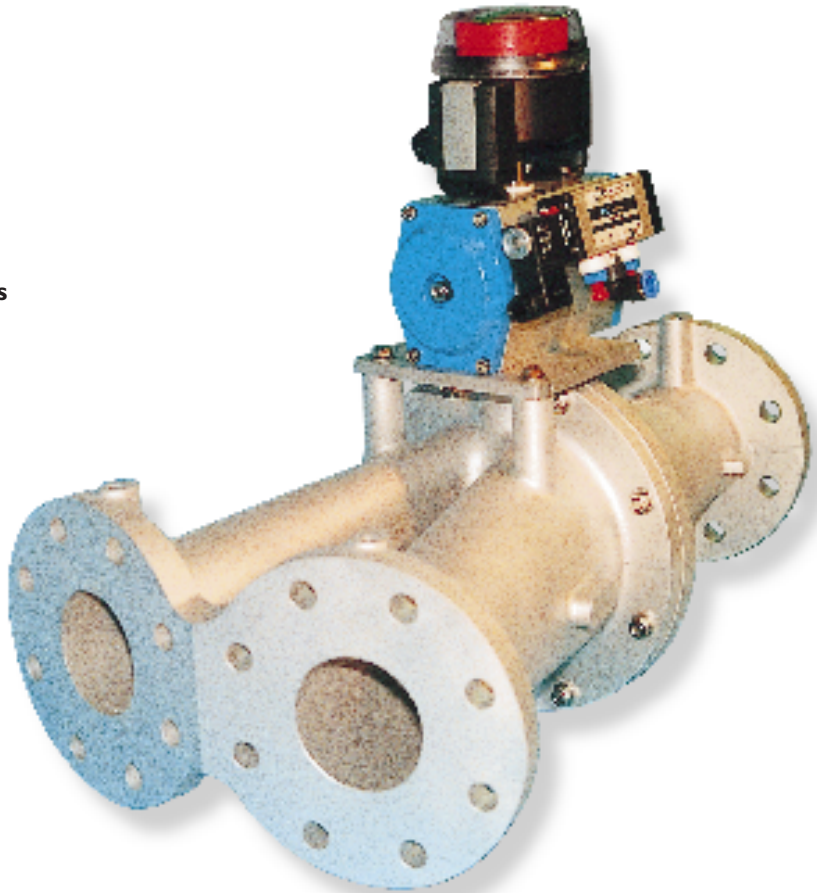
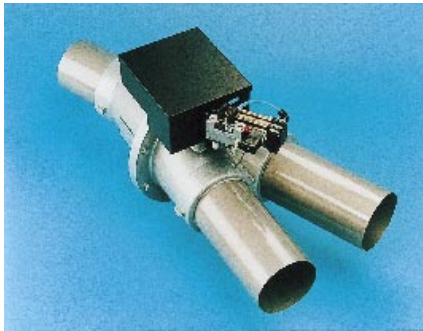


- Compact form
- Optimal sealing
- Simple construction
- Minimal pressure loss
- Available with flange or pipe fittings
- Flanges drilled in accordance with DIN ND10, ANSI* 150 lbs and JIS**
- Cast iron, aluminium or 316 stainless steel



FDV Flap Type Diverter

The DMN-WESTINGHOUSE flap type diverters have been designed to divert powders and pellets in pneumatic conveying systems.

The FDV is available in two versions: the FDV-F type with flange fittings and the FDV-P type with pipe fittings. Both versions are available in aluminium, cast iron and stainless steel, in the ranges 50 - 250 for the FDV-F and in the ranges 50 - 150 for the FDV-P. Larger models are available on request.

For the FDV there are 4 operating modes: a pneumatic cylinder assembly, a pneumatic actuator assembly, an electrical actuator and hand operation.

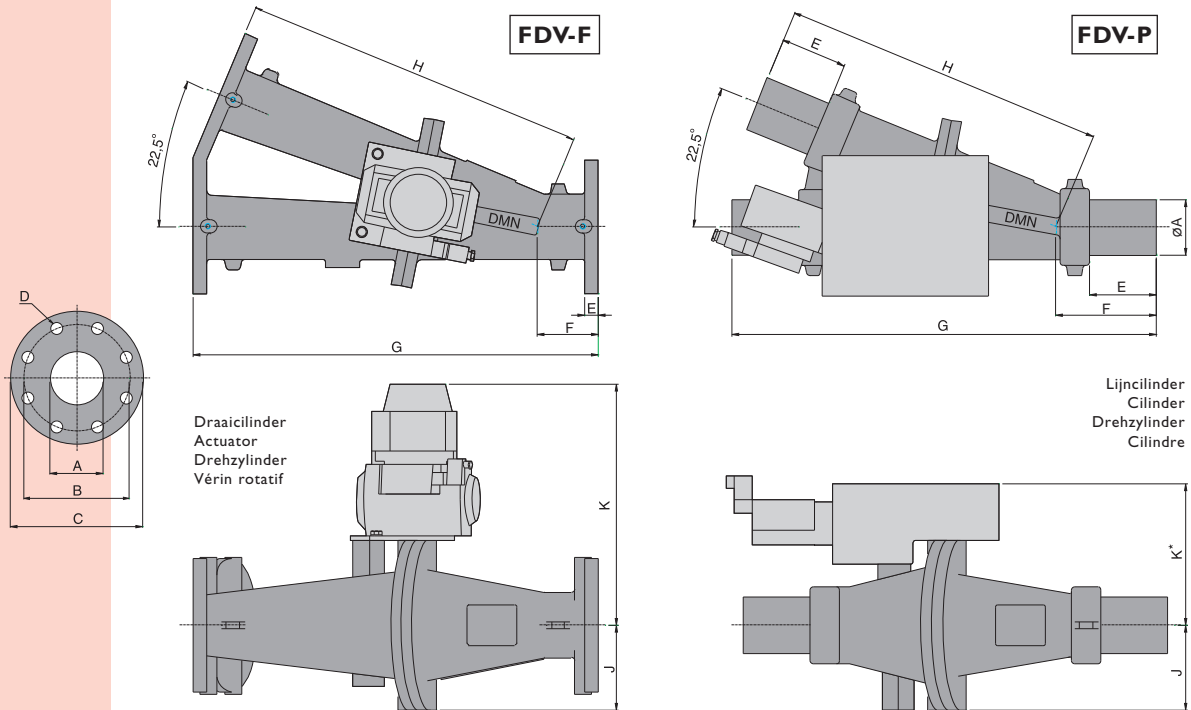
Product information

The parabolic style blade of the diverter can be fitted with a wear resistant or food quality polyurethane seal, providing a virtually leak proof unit.

The FDV diverter can be used in systems with positive pressures up to 2 bar g and negative pressures up to 300 mbar g. The standard polyurethane flap can be used for temperatures up to 80 °C. Options for higher temperatures are available on request.

* American National Standards Institute

** Japanese Industrial Standard



DMN-WESTINGHOUSE have been designing and manufacturing rotary valves, diverter valves and other related components for the bulk solids handling industry for more than 30 years. Offering tailor made solutions for chemical, food, plastics and pharmaceutical industries, DMN-WESTINGHOUSE products are distributed world-wide. Besides an extensive range of standard components, we supply USDA approved sanitary versions and explosion-proof models. An extensive network of subsidiaries, distributors and representatives ensures a high level of service and support all over the world.

Type ¹⁾	FDV-F								FDV-P						J	K	K*
	A	B	C	D	E	F	G	H	A (AISI)	A (ST37)	E	F	G	H			
50	50	125	165	4x18	12	90	520	430	54x2	"54x2,6"	100	150	540	390	103	321	183
65	65	145	185	4x18	12	90	570	480	70x2	"70x2,9"	100	150	540	390	110	328	190
80	80	160	200	8x18	12	90	610	520	84x2	"88,9x4"	100	150	637	487	128	363	215
100	100	180	220	8x18	12	90	660	570	104x2	"108x3,6"	100	150	670	520	143	376	230
125	125	210	250	8x18	12	95	740	645	129x2	133x4	100	153	715	562	165	410	252
150	150	240	285	8x22	12	105	840	735	154x2	"159x4,5"	100	163	735	572	185	430	272
200	200	295	343	8x23	24	45	925	880							215	484	315
250	250	350	406	8x23	24	54	1070	1016							250	519	350

¹⁾ Larger models are available on request

Global Technology & Engineering
 PO Box 687
 Excelsior Springs, MO 64024
 Toll Free (866) 630-3500

www.globaltecheng.com

