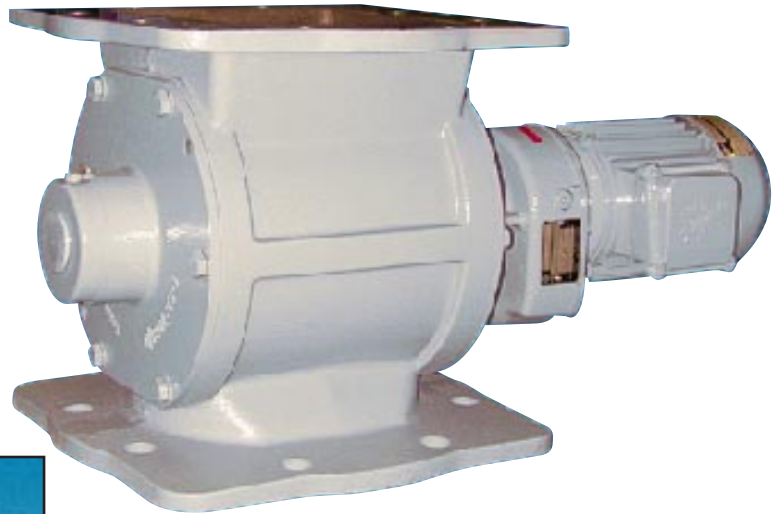


DMN-WESTINGHOUSE

- Minimum air leakage
- Polyurethane rotor blades
- Suitable for both round and square counter flanges
- Ex stock delivery



DL

The DMN-WESTINGHOUSE DL (**D**ust **L**ock) is of a dedicated design for filter applications. The universal flanges on both sides of the valve are drilled to PN 10 and suitable for both round and square counter flanges.

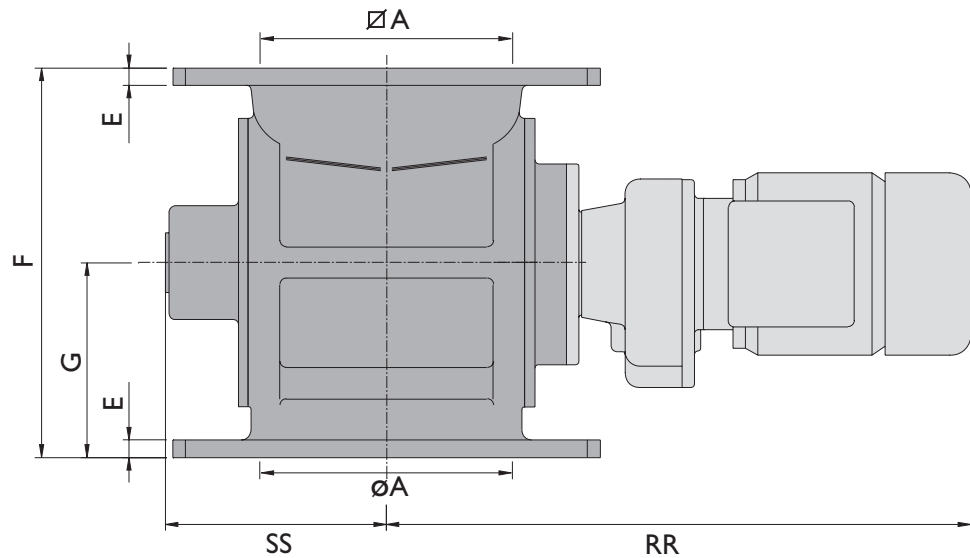
The inlet of the valve is square, therefore accommodating both round and square outlets from the vessel that has to be discharged. The angle of the inlet down to the rotor has been kept as steep as possible, to reduce the chance of bridging. The outlet from the valve is round, so that you can discharge into either a round or square connection.

Product information

The DL valve has a very large inlet and a direct drive, providing ample torque to drive the rotor, which has 6 replaceable and adjustable polyurethane blades. An optional steel fixed bladed rotor is also available.

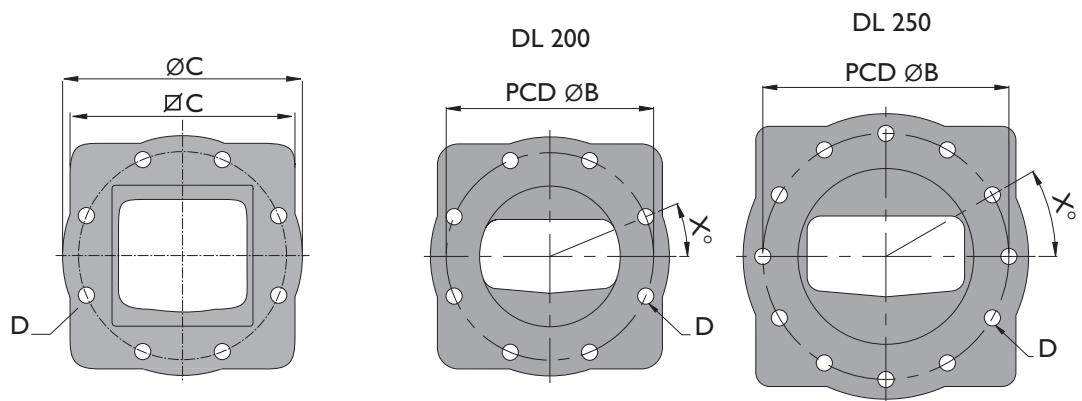
The standard drive is a Nord helical geared motor, type SK01-F-71L/4, 0.37 kW, IP 55, isol. F, giving 27 rpm at 50 Hz and 32.4 rpm at 60 Hz. Suitable for 230/400V 50 Hz and 278/480V 60 Hz.

The standard model is suitable for handling products up to a temperature of 70 °C and a maximum pressure differential of 0.5 bar. The valve is pressure shock resistant up to 10 bar pressure.



INLET

OUTLET



DMN-WESTINGHOUSE have been designing and manufacturing rotary valves, diverter valves and other related components for the bulk solids handling industry for more than 30 years. Offering tailor made solutions for chemical, food, plastics and pharmaceutical industries, DMN-WESTINGHOUSE products are distributed world-wide. Besides an extensive range of standard components, we supply USDA approved sanitary versions and explosion-proof models. An extensive network of subsidiaries, distributors and representatives ensures a high level of service and support all over the world.

Type DL	Ltr/rev	ØA	ØA	ØB	ØC	ØC	D	E	F	G	X	RR	SS
200	6	200	200	295	340	320	8XØ23	14	310	155	22,5°	480	176
250	8.5	250	250	350	406	370	12XØ23	15	325	162.5	30°	485	196

Global Technology & Engineering
 PO Box 687
 Excelsior Springs, MO 64024
 Toll Free (866) 630-3500

www.globaltecheng.com

