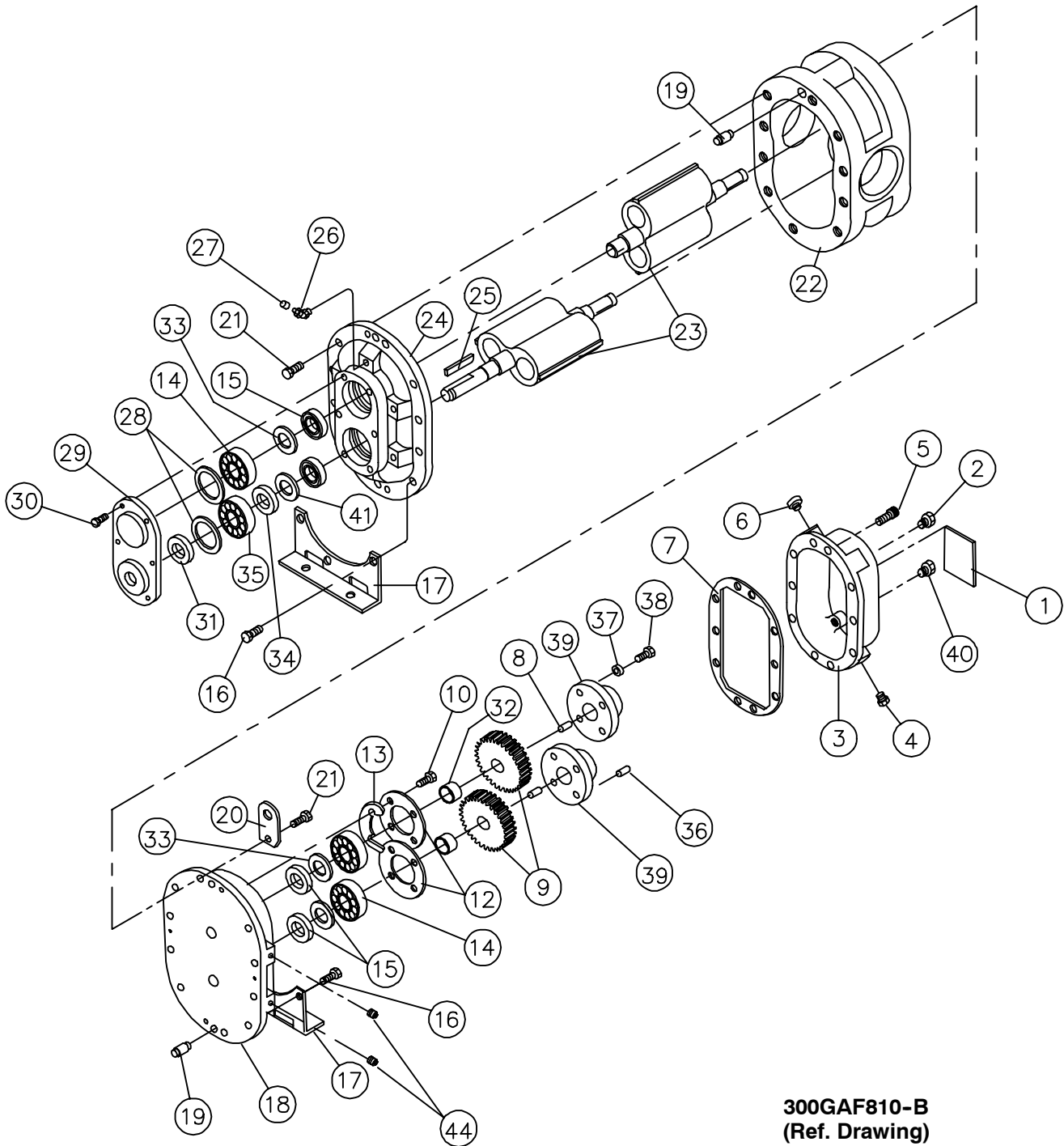


SECTION 8 PARTS LIST



**300GAF810-B
(Ref. Drawing)**

Order by Part Number and Description. Reference Numbers are for your convenience only.

Ref. No.	Description	No. Req'd	MODEL GAF		
			Size - 6H GAFH_P_	Size - 6M GAFM_P_	Size - 6L GAF6_P_
1	NAMEPLATE	1	301GAE496	301GAE496	301GAE496
2	PLUG FOR ALTERNATE OIL LEVEL CONN.	1	64AC4	64AC4	64AC4
3	GEAR CASE	1	900883064201	900883064201	900883064201
4	DRAIN PLUG	1	64AC4	64AC4	64AC4
5	SCREW-GEAR CASE TO HEADPLATE	12	75LM113	75LM113	75LM113
6	BREATHER	1	5L223	5L223	5L223
Ø 7	GASKET GEAR CASE	1	200GAF715	200GAF715	200GAF715
Ø 8	TAPER PIN	2	62V59	62V59	62V59
9	TIMING GEAR GROUP	1	200GAF6008	200GAF6008	200GAF6008
Ø 10	SCREW-BEARING RETAINER TO HEADPLATE	8	75A33N	75A33N	75A33N
12	BEARING RETAINER	2	900883065501	900883065501	900883065501
Ø 13	SHIM SET	1	900881065400	900881065400	900881065400
Ø 14	BEARING	3	900639080506	900639080506	900639080506
Ø 15	MAIN SEAL-PER APPLICATION BELOW				
	MECHANICAL SEAL VERSION	4	900871020006	900871020006	900871020006
	LIP SEAL VERSION	4	60DD657	60DD657	60DD657
16	SCREW-FOOT TO HEADPLATE	8	655ED060	655ED060	655ED060
17	FOOT GROUP				
	VERTICAL FOOT GROUP	1	GAF81950	GAF81950	GAF81950
	HORIZONTAL FOOT GROUP	1	GAF81951	GAF81951	GAF81951
18	HOUSING-BEARING (GEAR END)				
	LIP SEAL	1	900883064401	90088364401	900883064401
	MECHANICAL SEAL	1	900883064501	90088364501	900883064501
19	DOWEL PIN	4	62M48	62M48	62M48
20	LIFTING LUG	2	200GAF451	200GAF451	200GAF451
21	SCREW-HEADPLATES TO IMPELLER CASE	24	655ED050	655ED050	655ED050
22	IMPELLER CASE	1	900883063901	900883064001	900883064101
23	SHAFT ASSEMBLY GROUP	1	GAF81952	GAF81954	GAF81953
	SHAFT ASSEMBLY GROUP CONSISTS OF:				
	(1) ASSEMBLY SHAFT - LONG				
	(1) ASSEMBLY SHAFT - SHORT				
24	HOUSING-BEARING (DRIVE END)				
	LIP SEAL	1	900883064901	900883064901	900883064901
	MECHANICAL SEAL	1	900883064801	900883064801	900883064801
25	DRIVE KEY	1	900639910406	900639910406	900639910406
26	GREASE FITTING	2	911659990606	911659990606	911659990606
27	GREASE FITTING CAP	2	40P41	40P41	40P41
28	WAVY SPRING	2	900669170506	900669170506	900669170506
29	DRIVE COVER	1	900883064601	900883064601	900883064601
30	SCREW-DRIVE COVER TO HEADPLATE	8	75LM113	75LM113	75LM113
Ø 31	DRIVE SEAL	1	60DD658	60DD658	60DD658
32	SPACER-GEAR END	2	900811060401	900811060401	900811060401
33	SPACER-GEAR & DRIVE END-SEAL/BRG	3	900881066201	900881066201	900881066201
34	SPACER-DRIVE END DRIVE SHAFT-SEAL/BRG	1	900881066401	900881066401	900881066401
Ø 35	BEARING-DRIVE END DRIVE SHAFT	1	900811060801	900811060801	900811060801
36	THREADED TAPER PIN	2	62V67	62V67	62V67
37	WASHER-GEAR	8	900649440205	900649440205	900649440205
38	SCREW-TIMING HUB TO GEAR	8	655ED060	655ED060	655ED060
39	HUB-TIMING	2	900713060101	900713060101	900713060101
40	GAUGE-OIL LEVEL	1	40P31	40P31	40P31
* 41	SPACER-DRIVE END DRIVE SHAFT-HD PLT-BRG	1	900881066301	900881066301	900881066301
	REQUIRED WITH MECHANICAL SEAL UNITS				
* 42	PLUGS REQUIRED WITH MECHANICAL SEAL UNITS	8	64AC2	64AC2	64AC2
44	SCREW-SET	4	76F92	76F92	76F92
Ø	OVERHAUL KIT LIP SEAL	0	203GAF6010	203GAF6010	203GAF6010
Ø	OVERHAUL KIT MECHANICAL SEAL	0	204GAF6010	204GAF6010	204GAF6010

* NOT SHOWN

Ø INCLUDED IN OVERHAUL KIT.