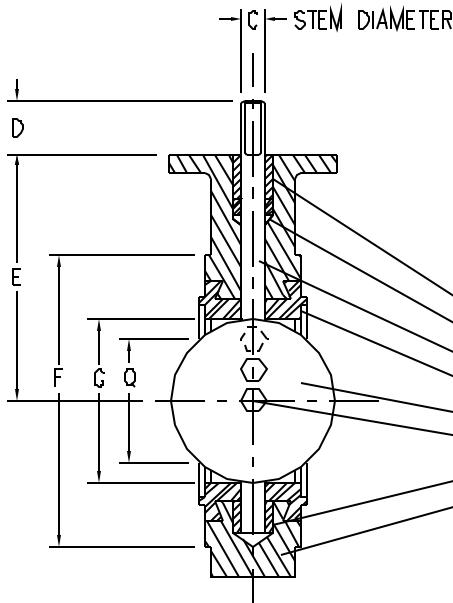
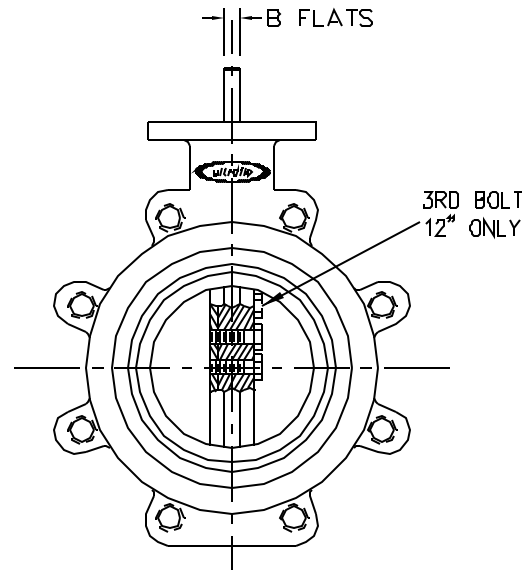
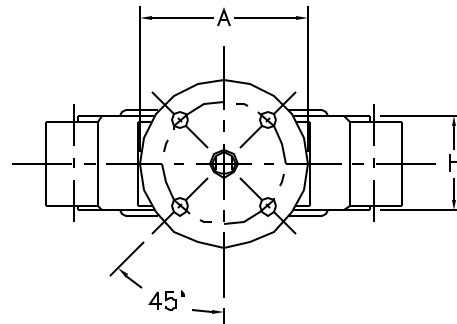


**NOTES:**

1. Valve with full cut disc carries a pressure rating of 150 P.S.I.
2. Valve O.D. and Flange bolt circle must share common center line. Valve design to be placed between ANSI 125 or 150 lb. Flanges (Not for use with ASA 250 or 300 lb. Flanges).
3. Q Dimension: Is the minimum Flange or Pipe I.D. tolerable for protection of disc sealing edge while operating centered between flanges.
4. See data pages 10 and 11 for interchangeability of top plate mounting as to Ultraflo handles, plates, gear operators, etc..
5. Consult Ultraflo for application data as to Ultratorque actuators and accessories.



NAME	NO. REQ'D.	MATERIAL	PART NUMBER
Upper Bushing	1		
Packing	1		
Stem	1		
Seal	1		
Disc	1		
Screws & O Ring	2		
Bottom Bushing	1		
Body	1		

**VALVE DIMENSIONS**

SIZE	TOP PLATE DRILLING										TAPPED LUG DATA					
	A	B	C	D	E	F	G	H	Q	WT. LBS.	Bolt Circle	No. Holes	Hole Dia.	Bolt Circle	No. Holes	Top
2	4.000	.375	.563	1.250	4.063	4.125	2.125	1.625	1.531	7.500	3.250	4	.438	4.750	4	.625-11UNC
3	4.000	.375	.563	1.250	5.000	5.375	3.125	1.750	2.689	11.000	3.250	4	.438	6.000	4	.625-11UNC
4	4.000	.438	.625	1.250	6.000	6.875	4.125	2.000	3.719	17.000	3.250	4	.438	7.500	8	.625-11UNC
5	4.000	.438	.625	1.250	6.000	7.750	5.188	2.125	4.813	21.000	3.250	4	.438	8.500	8	.750-10UNC
6	4.000	.438	.625	1.250	6.625	8.750	6.125	2.125	5.813	26.000	3.250	4	.438	9.500	8	.750-10UNC
8	6.000	.500	.750	1.250	8.313	11.000	8.125	2.500	7.813	42.000	5.000	4	.563	11.750	8	.750-10UNC
10	6.000	.625	.875	1.250	9.125	13.375	10.125	2.500	9.906	65.000	5.000	4	.563	14.250	12	.875-9UNC
12	6.000	-	1.125	2.000	10.625	16.125	12.094	3.000	11.844	108.000	5.000	4	.563	17.000	12	.875-9UNC

NOTE 12" C SIZE STEM CONNECTION DIAMETER WITH 1/4" X 1/4" KEYWAY

4			Drawn By TJM	Scale None	Title Ultraflo 422 Valve  2"-12" Tapped Lug Body; Standard Disc; Elastomer Seat	
3			Checked By -	Date 01/11/01		
2			Tolerances unless otherwise shown: Fractional ±1/64, Decimal ±0.05, Angle ±1/2°	<b>Ultraflo Corp.</b> A Subsidiary of Bray International, Inc.		
1				#8 Troutman Ind. Dr. Ste. Genevieve, Mo. 63670		
No.	Revisions	By/Date	Dwg. No. Data Page 2			