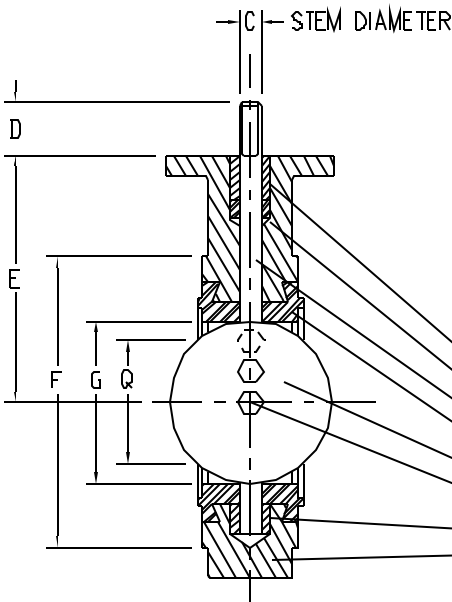
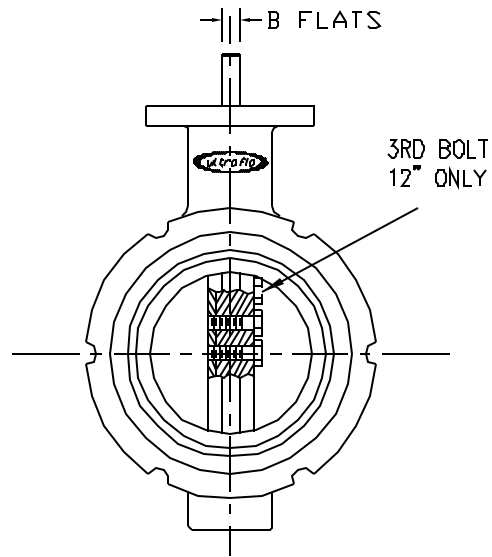
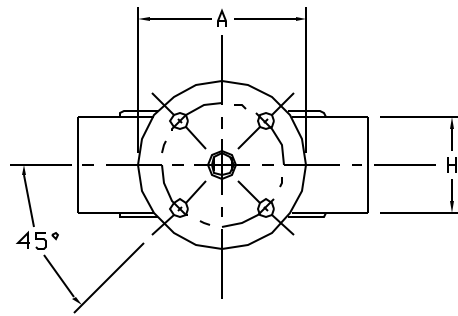


NOTES:

1. Valve with full cut disc carries a pressure rating of 150 P.S.I.
2. Valve O.D. and Flange bolt circle must share common center line. Valve design to be placed between ANSI 125 or 150 lb. Flanges (Not for use with ASA 250 or 300 lb. Flanges).
3. Q Dimension: Is the minimum Flange or Pipe I.D. tolerable for protection of disc sealing edge while operating centered between flanges.
4. See data pages 10 and 11 for interchangeability of top plate mounting as to Ultraflo handles, plates, gear operators, etc..
5. Consult Ultraflo for application data as to Ultratorque actuators and accessories.




NAME	NO. REQ'D.	MATERIAL	PART NUMBER
Top Bushing	1		
Packing	1		
Stem	1		
Seat	1		
Disc	1		
Screw & O Ring	2		
Bottom Bushing	1		
Body	1		

VALVE DIMENSIONS

SIZE	TOP PLATE DRILLING									WT. LBS.	Bolt Circle	No. Holes	Hole Dia.
	A	B	C	D	E	F	G	H	Q				
2	4.000	.375	.563	1.250	4.063	4.125	2.125	1.625	1.531	6.000	3.250	4	.438
2.5	4.000	.375	.563	1.250	4.625	4.875	2.500	1.750	1.969	8.000	3.250	4	.438
3	4.000	.375	.563	1.250	5.00	5.375	3.125	1.750	2.689	9.000	3.250	4	.438
4	4.000	.438	.625	1.250	6.00	6.875	4.125	2.000	3.719	13.000	3.250	4	.438
5	4.000	.438	.625	1.250	6.00	7.750	5.188	2.125	4.813	16.000	3.250	4	.438
6	4.000	.438	.625	1.250	6.625	8.750	6.125	2.125	5.813	19.000	3.250	4	.438
8	6.000	.500	.750	1.250	8.313	11.000	8.125	2.500	7.813	31.000	5.000	4	.563
10	6.000	.625	.875	1.250	9.125	13.375	10.125	2.500	9.906	47.000	5.000	4	.563
12	6.000	-	1.125	2.00	10.625	16.125	12.094	3.000	11.844	88.000	5.000	4	.563

NOTE: 12" C SIZE STEM CONNECTION DIAMETER WITH 1/4" X 1/4" KEYWAY

4		Drawn By TJM	Scale None	Title Ultraflo 400 Valve 2"-12" Wafer Body; Standard Disc; Elastomer Seat Dwg. No. Data Page 1
3		Checked By -	Date 01/11/01	
2		Tolerances unless otherwise shown: Fractional ±1/64, Decimal ±0.05, Angle ±1/2°	 Ultraflo Corp. A Subsidiary of Bray International, Inc.	
1				
No.	Revisions	By/Date	#8 Troutman Ind. Dr. Ste. Genevieve, Mo. 63670	