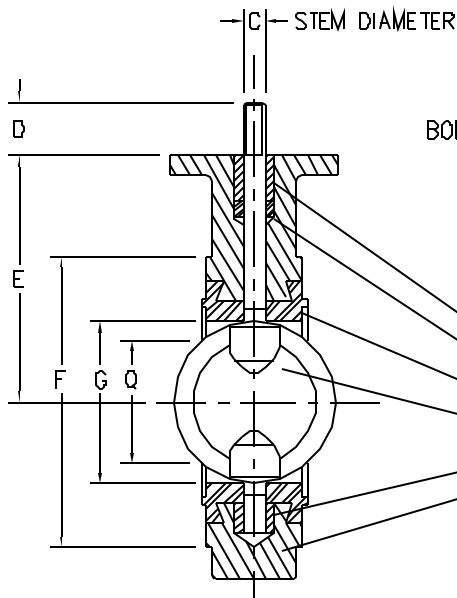
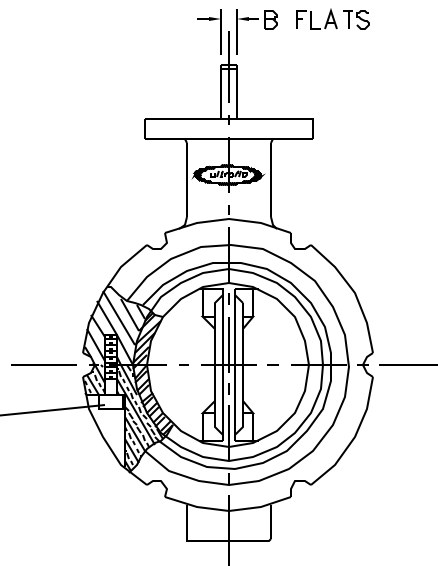
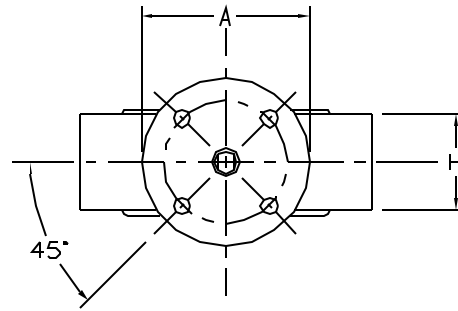


NOTES:

1. Valve with full cut disc carries a pressure rating of 150 P.S.I.
2. Valve O.D. and Flange bolt circle must share common center line. Valve design to be placed between ANSI 125 or 150 lb. Flanges (Not for use with ASA 250 or 300 lb. Flanges).
3. Q Dimension: Is the minimum Flange or Pipe I.D. tolerable for protection of disc sealing edge while operating centered between flanges.
4. See data pages 10 and 11 for interchangeability of top plate mounting as to Ultraflo handles, plates, gear operators, etc..
5. Consult Ultraflo for application data as to Ultratorque actuators and accessories.

Teflon® is a registered trade name of E.I. Dupont Co.



BODY SCREWS 2


NAME	NO. REQ'D.	MATERIAL	PART NUMBER
Upper Bushing	1		
Packing	1		
Seat	1		
Disc-Stem	1		
Bottom Bushing	1		
Body	1		

VALVE DIMENSIONS

TOP PLATE DRILLING

SIZE	A	B	C	D	E	F	G	H	Q	WT. LBS.	Bolt Circle	No. Holes	Hole Dia.
2	4.000	.375	.563	1.250	4.063	4.125	2.000	1.625	1.313	6.000	3.250	4	.438
3	4.000	.375	.563	1.250	5.00	5.375	3.000	1.750	2.563	9.000	3.250	4	.438
4	4.000	.438	.625	1.250	6.000	6.875	4.000	2.000	3.563	11.000	3.250	4	.438
5	4.000	.500	.750	1.250	6.000	7.750	5.000	2.125	4.531	16.000	3.250	4	.438
6	4.000	.500	.750	1.250	6.625	8.750	5.750	2.125	6.438	17.000	3.250	4	.438
8	6.000	.625	.875	1.250	8.313	11.000	7.750	2.500	7.438	29.000	5.000	4	.563
10	6.000	-	1.125	2.000	9.125	13.375	9.750	2.500	9.531	44.000	5.000	4	.563
12	6.000	-	1.125	2.000	10.625	16.125	11.750	3.000	11.500	85.000	5.000	4	.563

NOTE 10" AND 12" C SIZE STEM CONNECTION DIAMETER WITH 1/4" X 1/4" KEYWAY

4			Drawn By TJM	Scale None	Title Ultraflo 399 Valve 2"-12" Wafer Body; One Piece Disc-Stem 316 S.S. or Teflon® Covered; Elastomer Seat or Teflon® Lined	
3			Checked By -	Date 01/11/01		
2			Tolerances unless otherwise shown: Fractional ±1/64, Decimal ±0.05, Angle ± 1/2°	 Ultraflo Corp. A Subsidiary of Gray International, Inc.		
1				#B Troutman Ind. Dr. Ste. Genevieve, Mo. 63670		
No.	Revisions	By/Date				Dwg. No. Data Page 5