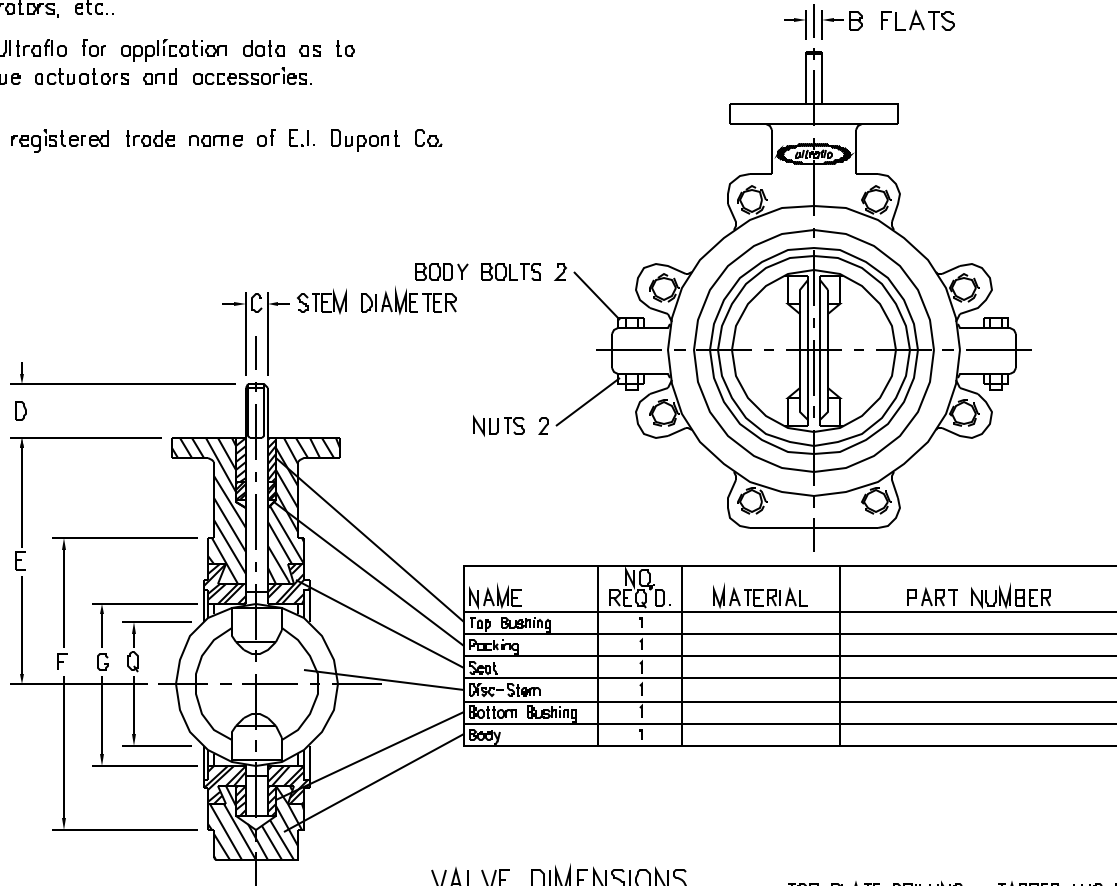
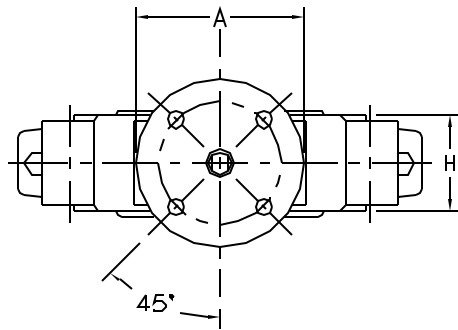


NOTES:

1. Valve with full cut disc carries a pressure rating of 150 P.S.I.
2. Valve O.D. and Flange bolt circle must share common center line. Valve design to be placed between ANSI 125 or 150 lb. Flanges (Not for use with ASA 250 or 300 lb. Flanges).
3. Q Dimension: Is the minimum Flange or Pipe I.D. tolerable for protection of disc sealing edge while operating centered between flanges.
4. See data pages 10 and 11 for interchangeability of top plate mounting as to Ultraflo handles, plates, gear operators, etc..
5. Consult Ultraflo for application data as to Ultratorque actuators and accessories.

Teflon® is a registered trade name of E.I. Dupont Co.



VALVE DIMENSIONS

SIZE	A	B	C	D	E	F	G	H	Q	WT. LBS.	TOP PLATE DRILLING			TAPPED LUG DATA		
											Bolt Circle	No. Holes	Hole Dia.	Bolt Circle	No. Holes	Tap
2	4.000	.375	.563	1.250	4.063	4.125	2.000	1.625	1.313	7.500	3.250	4	.438	4.750	4	.625-11UNC
2.5	4.000	.375	.563	1.250	4.625	4.875	2.500	1.750	1.907	8.000	5.500	4	.438	5.500	4	.625-11UNC
3	4.000	.375	.563	1.250	5.000	5.375	3.000	1.750	2.563	11.000	3.250	4	.438	6.000	4	.625-11UNC
4	4.000	.438	.625	1.250	6.000	6.875	4.000	2.000	3.563	17.000	3.250	4	.438	7.500	8	.625-11UNC
5	4.000	.500	.750	1.250	6.000	7.750	5.000	2.125	4.631	21.000	3.250	4	.438	7.500	8	.750-11UNC
6	4.000	.500	.750	1.250	6.625	8.750	5.750	2.125	5.438	26.000	3.250	4	.438	9.500	8	.750-10UNC
8	6.000	.625	.875	1.250	8.313	11.000	7.750	2.500	7.438	42.000	5.000	4	.563	11.750	8	.750-10UNC
10	6.000	-	1.125	2.000	9.125	13.375	9.750	2.500	9.531	65.000	5.000	4	.563	14.250	12	.875-9UNC
12	6.000	-	1.125	2.000	10.625	16.125	11.750	3.000	11.500	108.000	5.000	4	.563	17.000	12	.875-9UNC

NOTE 10" AND 12" C SIZE STEM CONNECTION DIAMETER WITH 1/4" X 1/4" KEYWAY

4			Drawn By TJM	Scale None	Ultraflo Corp. A Subsidiary of Bray International, Inc. #8 Troutman Ind. Dr. Ste. Genevieve, Mo. 63670	Title Ultraflo 392 Valve 2"-12" Tapped Lug Body; One Piece Disc-Stem 316 S.S. or Teflon® Covered; Elastomer Seat or Teflon® Lined
3			Checked By -	Date 01/11/01		
2			Tolerances unless otherwise shown: Fractional ±1/64, Decimal ±0.05, Angle ±1/2°			
1						
No.	Revisions	By/Date				Dwg. No. Data Page 7