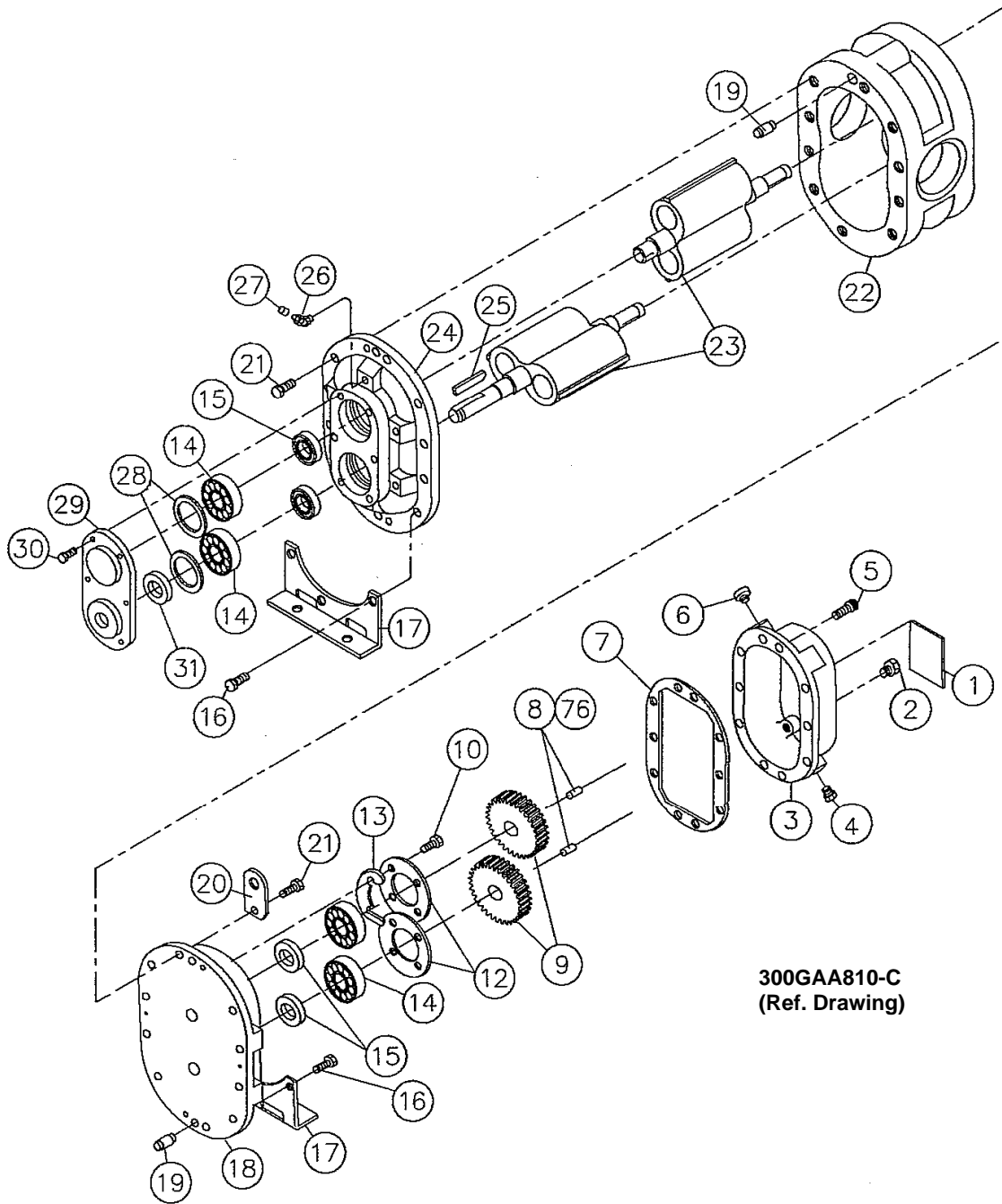


**SECTION 8
PARTS LIST**



**300GAA810-C
(Ref. Drawing)**

Order by Part Number and Description. Reference Numbers are for your convenience only.

Ref. No.	Description	No. Req'd	MODEL GAA	
			Size -- 2M GAAM_P	Size -- 2L GAAL_P
1	NAMEPLATE.....	1	302GAA496	302GAA496
2	OIL LEVEL PLUG.....	2	64AC1	64AC1
3	GEAR CASE.....	1	900893022801	900893022801
4	DRAIN PLUG.....	1	64AC1	64AC1
5	SCREW--GEAR CASE TO BEARING HOUSING	6	75LM224	75LM224
6	VENT PLUG	1	900639650102	900639650102
O 7	GASKET GEAR CASE	1	200GAA715	200GAA715
O 8	TAPER PIN.....	2	62V73	62V73
9	TIMING GEAR GROUP.....	1	200GAA6008	200GAA6008
O 10	SCREW--BEARING RETAINER TO BEARING	8	75A185N	75A185N
12	BEARING RETAINER	2	900892021801	900892021801
+ 13	SHIM SET.....	1	900891022900	900891022900
O 14	BEARING	4	12BA142	12BA142
O 15	MAIN SEAL--PER APPLICATION BELOW			
	LIP SEAL VERSION.....	4	60DD713	60DD713
	MECHANICAL SEAL VERSION.....	4	900871020002	900871020002
16	SCREW--FOOT TO BEARING HOUSING	6	75A34	75A34
17	FOOT GROUP			
	VERTICAL FOOT GROUP	1	GAA81896	GAA81896
	HORIZONTAL FOOT GROUP	1	GAA81897	GAA81897
18	HOUSING--BEARING (GEAR END)			
	LIP SEAL.....	1	900894021001	900894021001
	MECHANICAL SEAL.....	1	204GAA006	204GAA006
19	DOWEL PIN	4	62M48	62M48
20	LIFTING LUG	2	200GAA451	200GAA451
21	SCREW--BEARING HOUSINGS TO IMPELLER	14	75A34	75A34
22	IMPELLER CASE.....	1	900894021201	900894021401
23	SHAFT ASSEMBLY GROUP (SEAL VENTS).....	1	GAA81899	GAA81898
	SHAFT ASSEMBLY GROUP CONSISTS OF:			
	(1)ASSEMBLY SHAFT – LONG			
	(1) ASSEMBLY SHAFT – SHORT			
24	HOUSING--BEARING (DRIVE)			
	LIP SEAL.....	1	900894020801	900894020801
	MECHANICAL SEAL.....	1	205GAA006	205GAA006
25	DRIVE KEY	1	900891023101	900891023101
26	GREASE FITTING.....	2	900639910304	900639910304
27	GREASE FITTING CAP	2	40P58	40P58
+ 28	WAVY SPRING.....	2	78W65	78W65.
29	DRIVE COVER.....	1	900893021701	900893021701
30	SCREW--DRIVE COVER TO BEARING HOUSING ...	6	75A185N	75A185N
O 31	DRIVE SEAL	1	900639010802	900639010802
*+ 42	PLUGS REQUIRED WITH MECHANICAL SEAL.....	6	64AC1	64AC1
	SHIM--IMPELLER CASE			
	PAPER (.0015/.0020).....	0	202GAA732	202GAA732
	PAPER (.003).....	0	200GAA732	200GAA732
	ALUMINUM (.010).....	0	201GAA732	201GAA732
O	OVERHAUL KIT LIP SEAL.....	0	200GAA6010	200GAA6010
O	OVERHAUL KIT MECHANICAL SEAL.....	0	201GAA6010	201GAA6010
76	LOCTITE 620	1	25BC749	25BC749

* NOT SHOWN

o OVERHAUL KITS CONSIST OF BEARINGS, SEALS, GASKET, SHIMS, TAPER PINS AND BEARING RETAINER SCREWS.

+ MECHANICAL SEAL UNITS ONLY.